

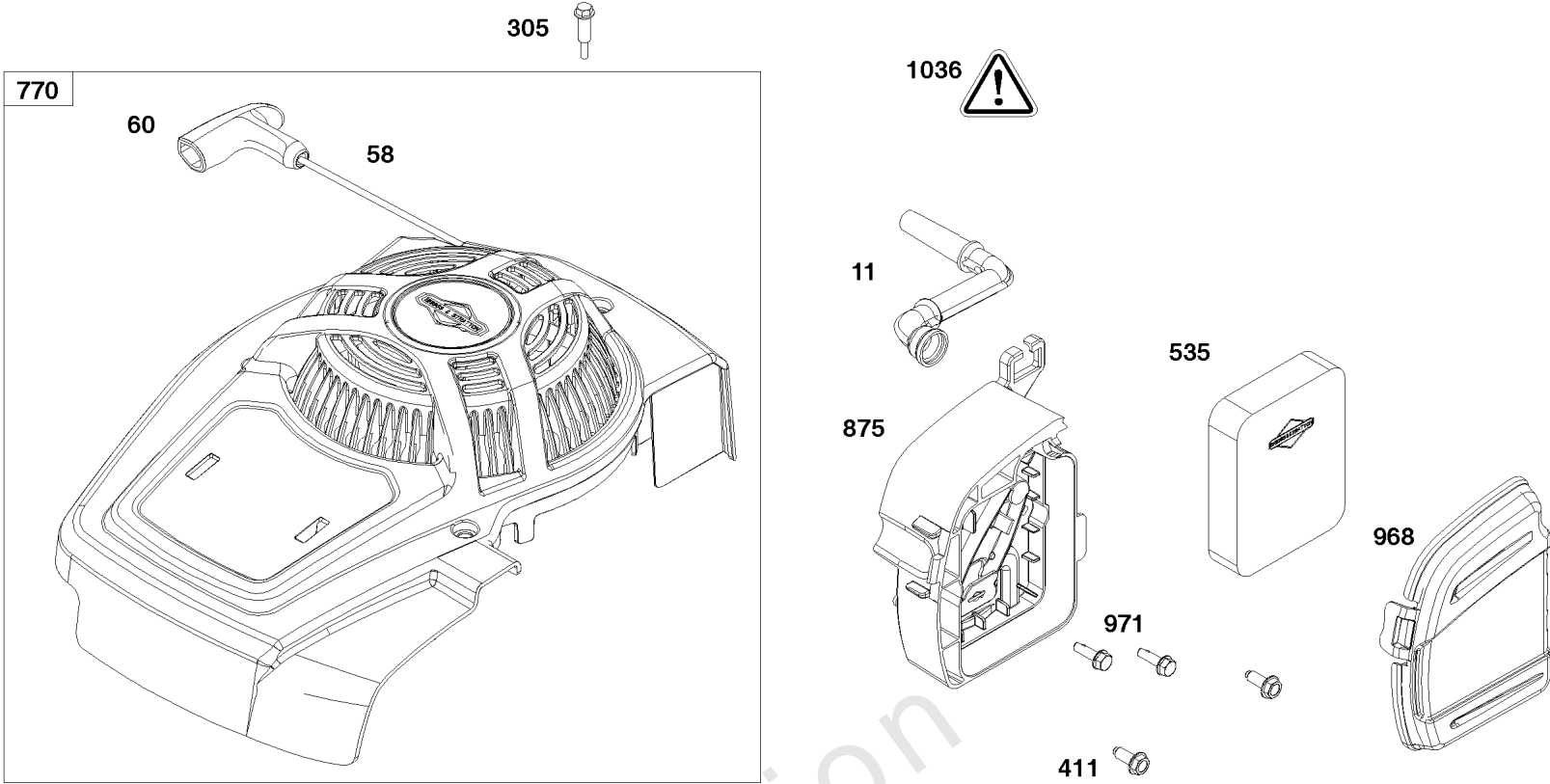


Parts Manual

Mfg. No: 124P02-0001-F1

Model Components	Page
Blower Housing and Air Cleaner Group.....	4
Carburetor Group.....	6
Controls Group.....	8
Crankshaft Group.....	10
Cylinder Group.....	12
Cylinder Head Group.....	14
Exhaust Group.....	16
Flywheel , Ignition, & Starter Group.....	18
Fuel Supply group.....	20
Replacement Engine - US & Canada.....	22
Service Parts & Tools Group.....	23
Sump and Lubrication Group.....	25

Not For
Reproduction

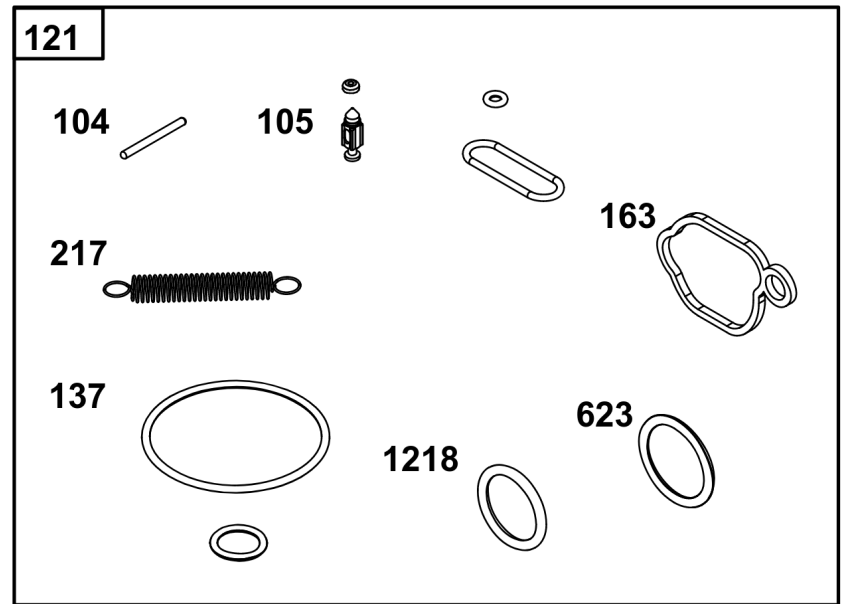
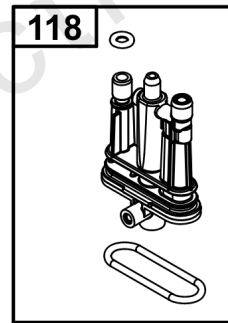
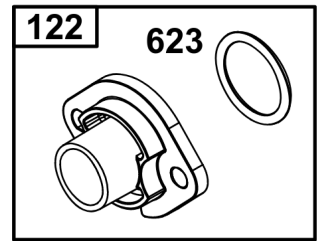
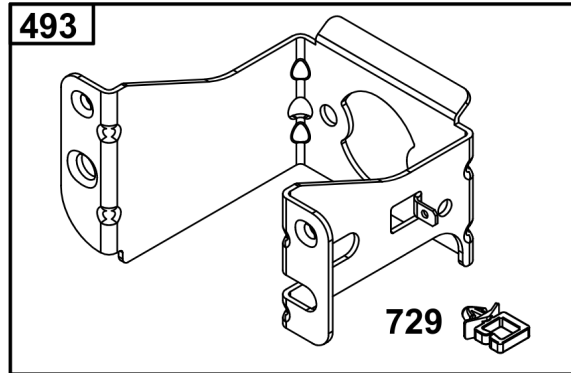
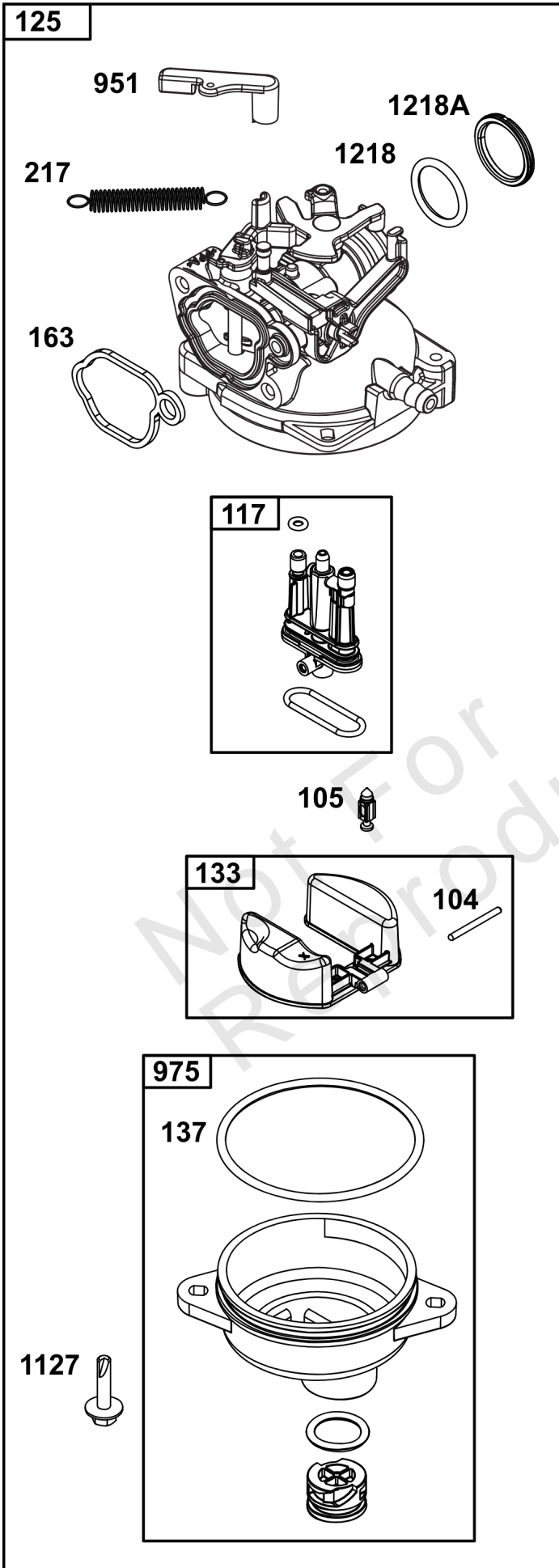


Not For
Reproduction

Blower Housing and Air Cleaner Group

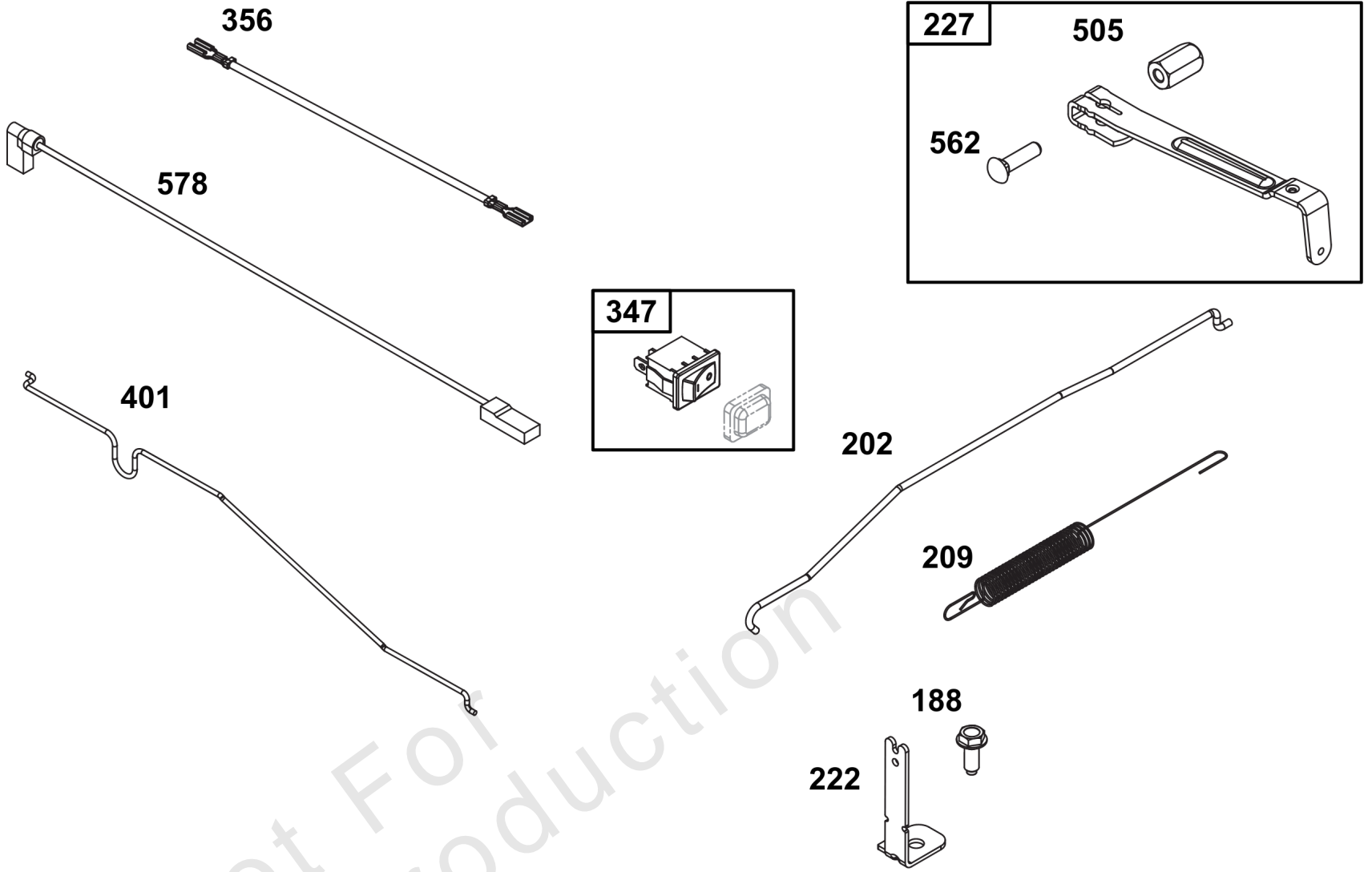
REF NO	PART NO	QTY	DESCRIPTION
11	595283	1	TUBE, Breather
58	591108	1	ROPE, Starter
60	281434S	1	GRIP, Starter Rope
305	590586	3	SCREW -(Blower Housing)
411	793480	2	SCREW
535	595297	1	FILTER, Air Cleaner Foam
770	597279	1	BLOWER HOUSING/REWIND
875	597291	1	BASE, Air Cleaner
968	595294	1	COVER, Air Cleaner
971	590552	2	SCREW -(Air Cleaner Base to Carburetor/Throttle Body)
1036	-----	1	LABEL, Emissions -(Available from a Briggs & Stratton Authorized Dealer)

Not For Reproduction



Carburetor Group

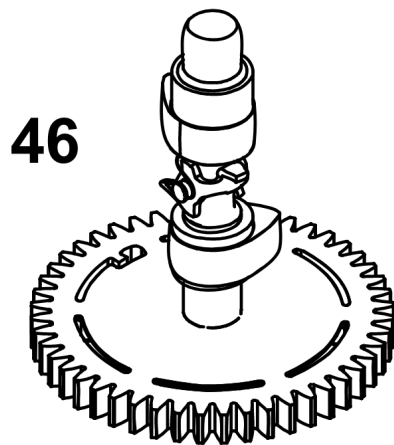
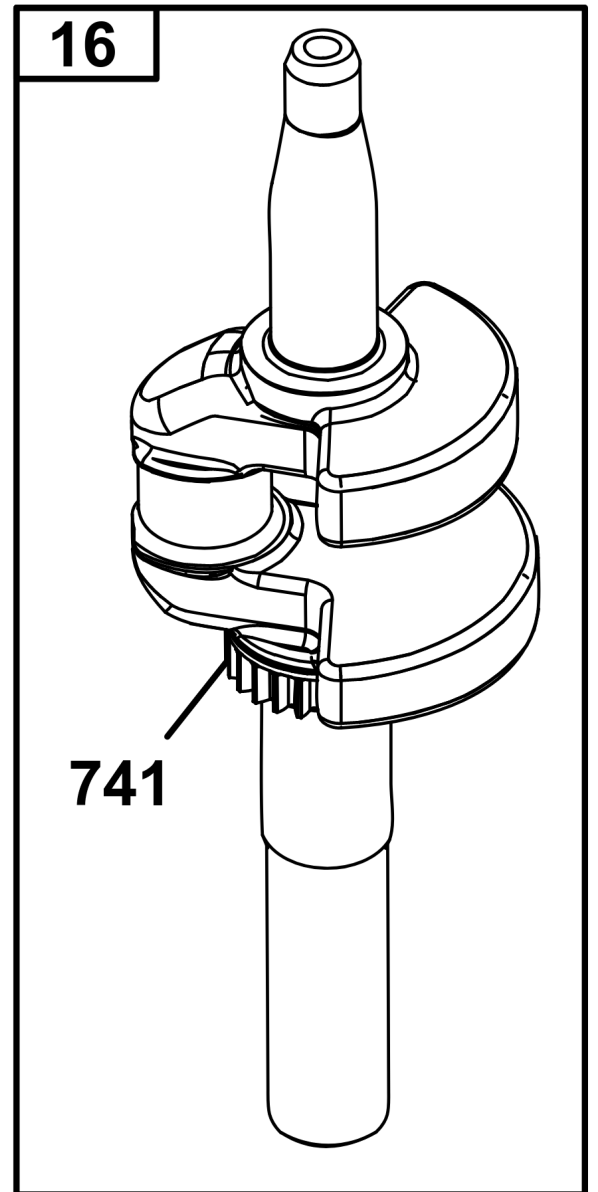
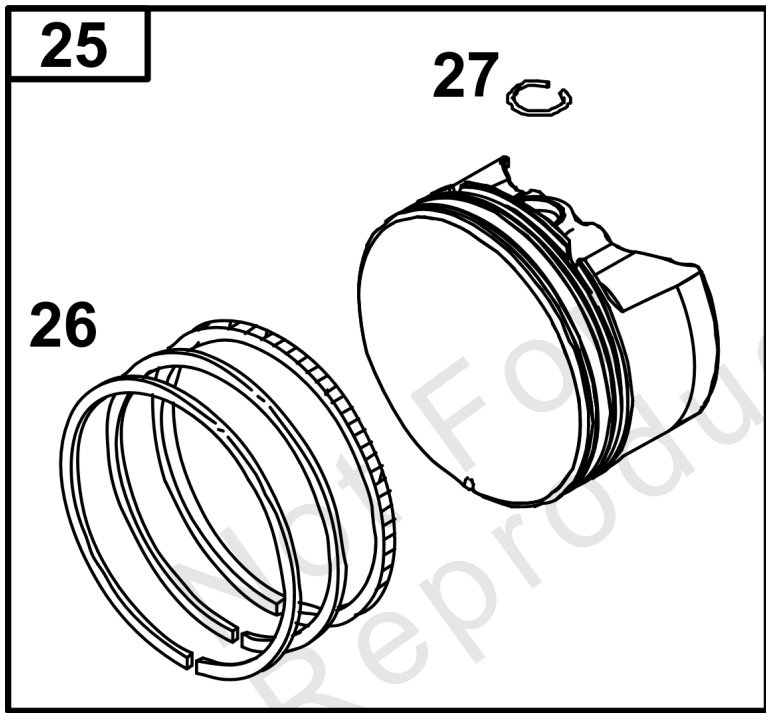
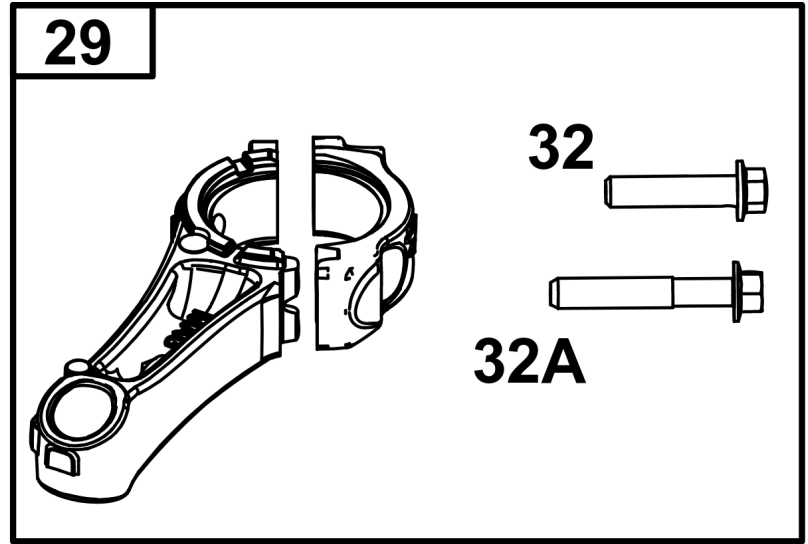
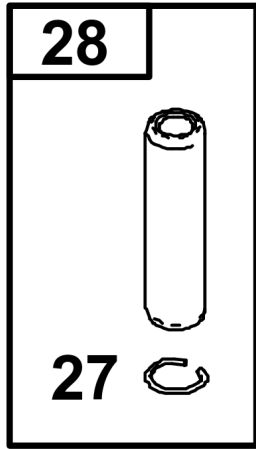
REF NO	PART NO	QTY	DESCRIPTION
104	590558	1	PIN, Float Hinge
105	594581	1	VALVE, Float Needle
117	597304	1	JET, Main -(Standard)
118	597305	1	JET, Main -(High Altitude)
121	594636	1	KIT, Carburetor Overhaul
122	590549	1	SPACER, Carburetor
125	597306	1	CARBURETOR
133	591120	1	FLOAT, Carburetor
137	594633	1	GASKET, Float Bowl
163	799580	1	GASKET, Air Cleaner
217	590740	1	SPRING, Choke Return
493	593330	1	BRACKET, Mounting -(Crankcase Cover/Sump or Cylinder Assembly)
623	799581	1	SEAL, O-Ring -(Carburetor Spacer)
729	594752	1	CLIP, Wire
951	591104	1	LEVER, Choke
975	594632	1	BOWL, Float
1127	590554	2	SCREW -(Float Bowl to Carburetor Body)
1218	270344S	1	SEAL, O-Ring -(Carburetor)
1218A	697478	1	RETAINER, Seal
1238	590562	2	SCREW -(Carburetor Spacer)



Controls Group

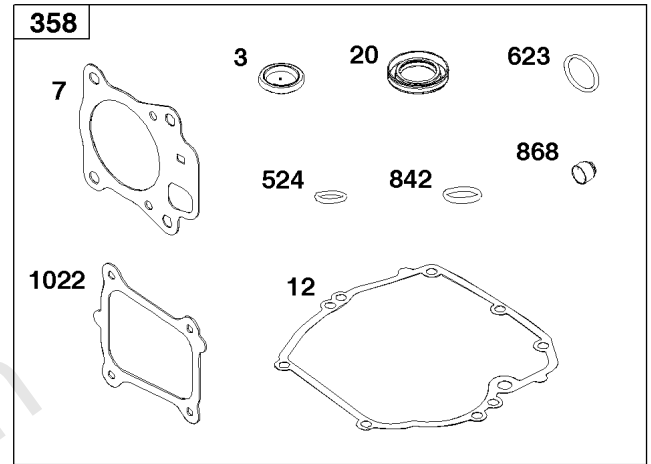
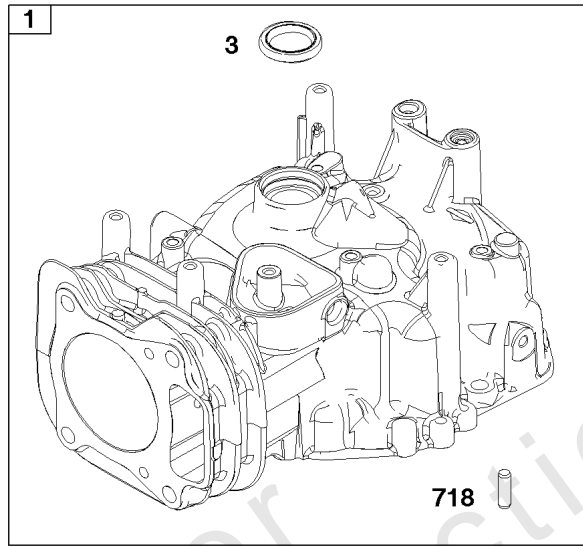
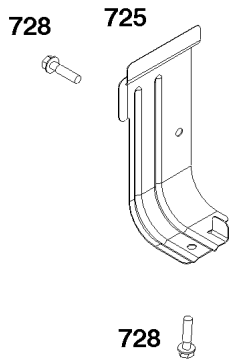
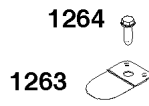
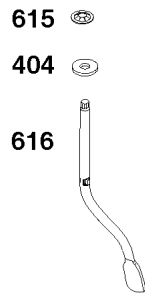
REF NO	PART NO	QTY	DESCRIPTION
188	793480	1	SCREW -(Control Bracket)
202	597286	1	LINK, Mechanical Governor
209	597440	1	SPRING, Governor
222	596754	1	BRACKET, Control
227	595284	1	LEVER, Governor Control
347	592694	1	SWITCH, Rocker
356	-----	1	WIRE, Stop -(Part information located in Flywheel/Ignition/Starter Group.)
401	597287	1	LINK, Actuator
505	597312	1	NUT -(Governor Control Lever)
562	793514	1	BOLT -(Governor Control Lever)
578	597292	1	WIRE ASSEMBLY

Not For Reproduction



Crankshaft Group

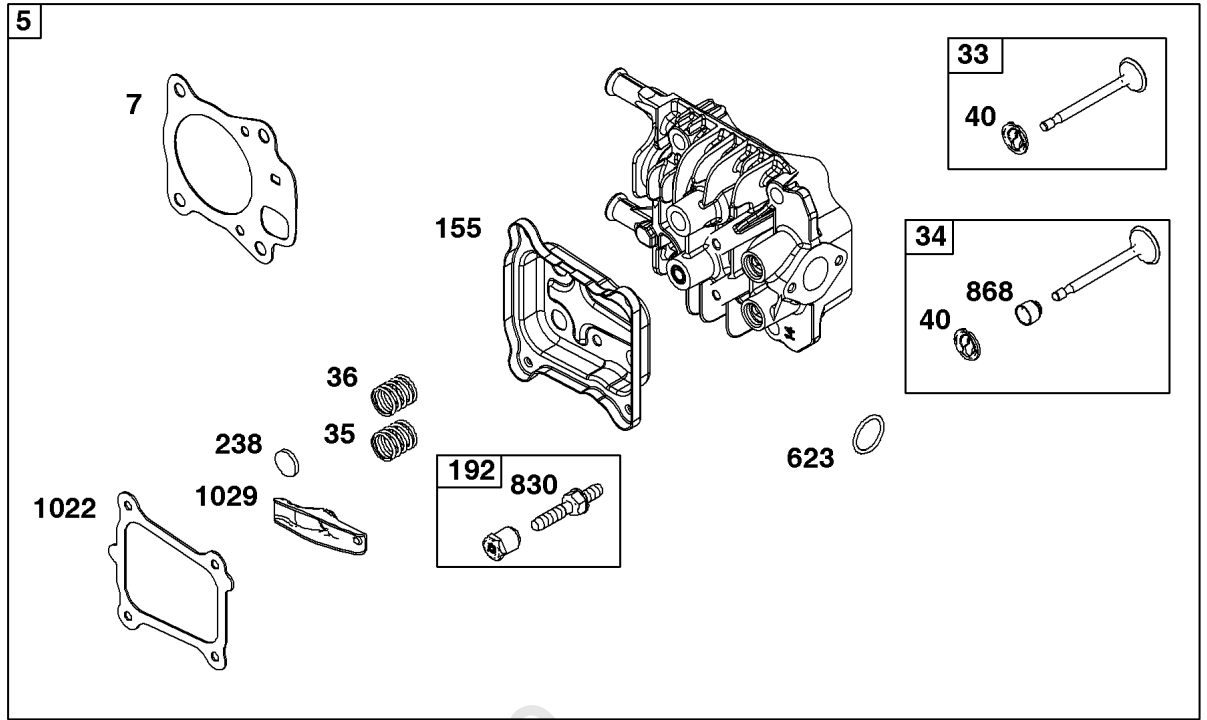
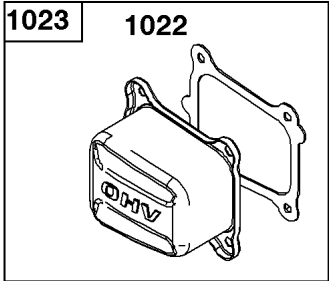
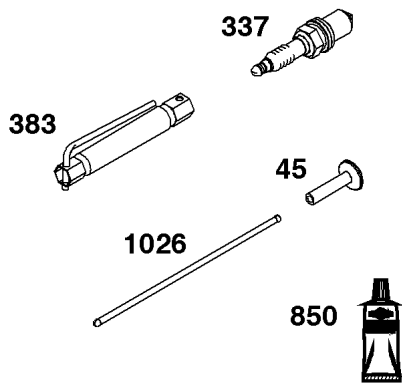
REF NO	PART NO	QTY	DESCRIPTION
16	597302	1	CRANKSHAFT
24	222698S	1	KEY, Flywheel
25	590404	1	PISTON ASSEMBLY -(Standard)
25	590405	1	PISTON ASSEMBLY -(.020 Oversize)
26	590402	1	SET, Ring -(Standard)
26	590403	2	SET, Ring -(.020 Oversize)
27	691588	1	LOCK, Piston Pin
28	298909	1	PIN, Piston
29	796470	1	ROD, Connecting
32	691664	1	SCREW -(Connecting Rod)(Short)
32A	695759	1	SCREW -(Connecting Rod)()
46	694039	1	CAMSHAFT
741	797521	1	GEAR, Timing



Not For
Reproduction

Cylinder Group

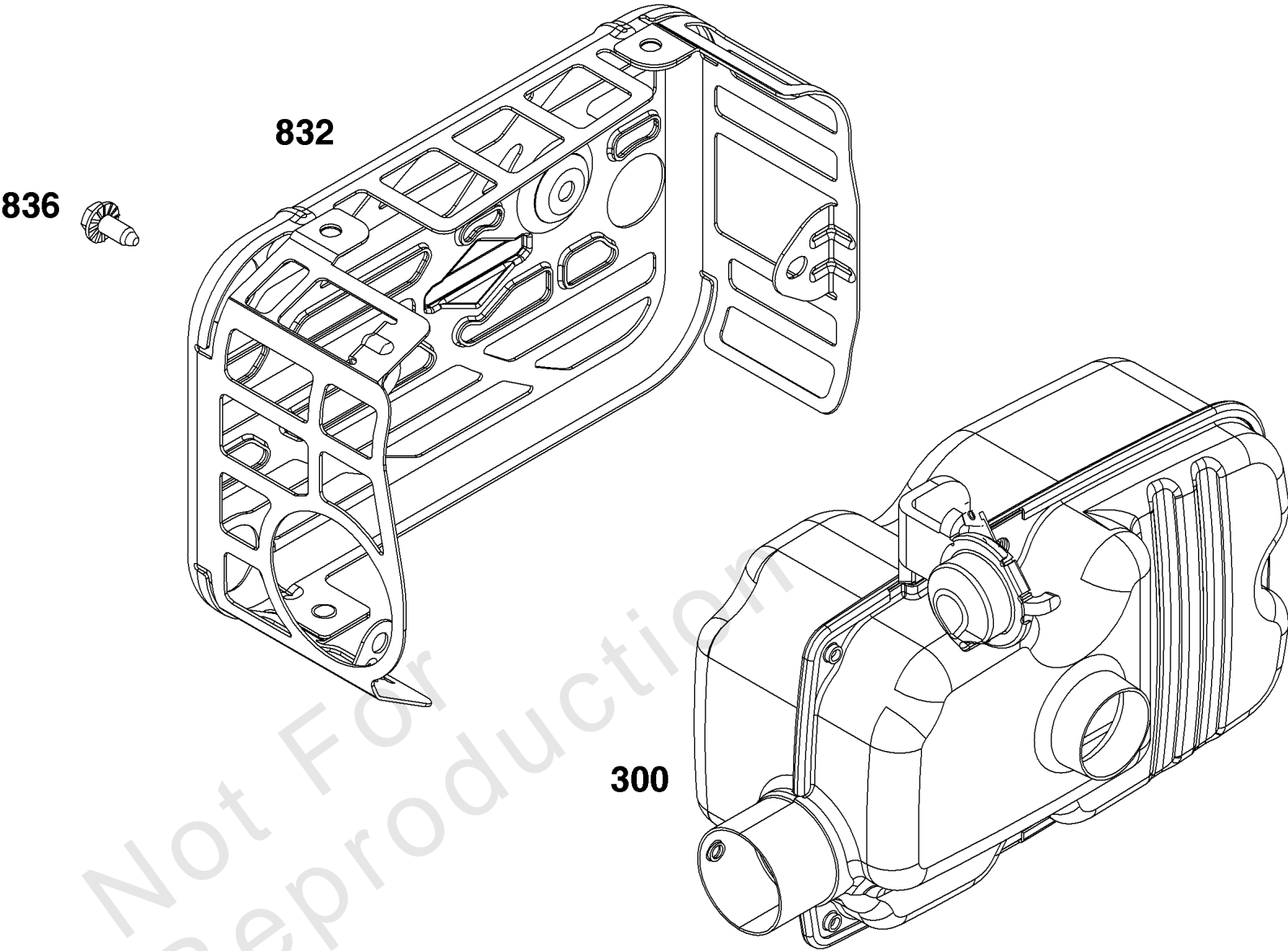
REF NO	PART NO	QTY	DESCRIPTION
1	595286	1	CYLINDER ASSEMBLY
3	299819S	1	SEAL, Oil -(Magneto Side)
7	-----	1	GASKET, Cylinder Head -(Part information located in Cylinder Head Group.)
12	-----	1	GASKET, Crankcase -(Part information located in Sump and Lubrication Group.)
20	-----	1	SEAL, Oil -(Part information located in Sump and Lubrication Group.)
358	597320	1	GASKET SET, Engine
404	690272	1	WASHER -(Governor Crank)
524	-----	1	SEAL, O-Ring -(Part information located in Sump and Lubrication Group.)
615	690340	1	RETAINER, Governor Shaft
616	84007235	1	CRANK, Governor
623	-----	1	SEAL, O-Ring -(Part information located in Carburetor Group.)
718	690959	2	PIN, Locating
725	597313	1	SHIELD, Heat
728	793480	2	SCREW -(Heat Shield)
842	-----	1	SEAL, O-Ring
868	-----	1	SEAL, Valve -(Part information located in Cylinder Head Group.)
1022	-----	1	GASKET, Rocker Cover -(Part information located in Cylinder Head Group.)
1263	697124	1	REED, Breather
1264	793453	1	SCREW -(Breather Reed)
1319	794467	1	LABEL, Warning
1319A	841997	1	LABEL, Warning



Not For
Reproduction

Cylinder Head Group

REF NO	PART NO	QTY	DESCRIPTION
5	597267	1	HEAD, Cylinder
7	796475	1	GASKET, Cylinder Head
13	799277	4	SCREW -(Cylinder Head)
33	499642	1	VALVE, Exhaust
34	795443	1	VALVE, Intake
35	597303	1	SPRING, Valve -(Intake)
36	597303	1	SPRING, Valve -(Exhaust)
40	692194	2	RETAINER, Valve
45	690977	2	TAPPET, Valve
155	597311	1	PLATE, Cylinder Head
192	84007234	2	ADJUSTER, Rocker Arm
238	691300	2	CAP, Valve
337	594264	1	PLUG, Spark
383	19576S	1	WRENCH, Spark Plug
623	799581	1	SEAL, O-Ring -(Carburetor Spacer)
718	690959	2	PIN, Locating
830	597315	2	STUD, Rocker Arm
850	100106	1	SEALANT, Liquid
868	597316	1	SEAL, Valve
914	591103	4	SCREW -(Rocker Cover)
1022	597318	1	GASKET, Rocker Cover
1023	597280	1	COVER, Rocker
1026	796481	2	ROD, Push
1029	691230	2	ARM, Rocker

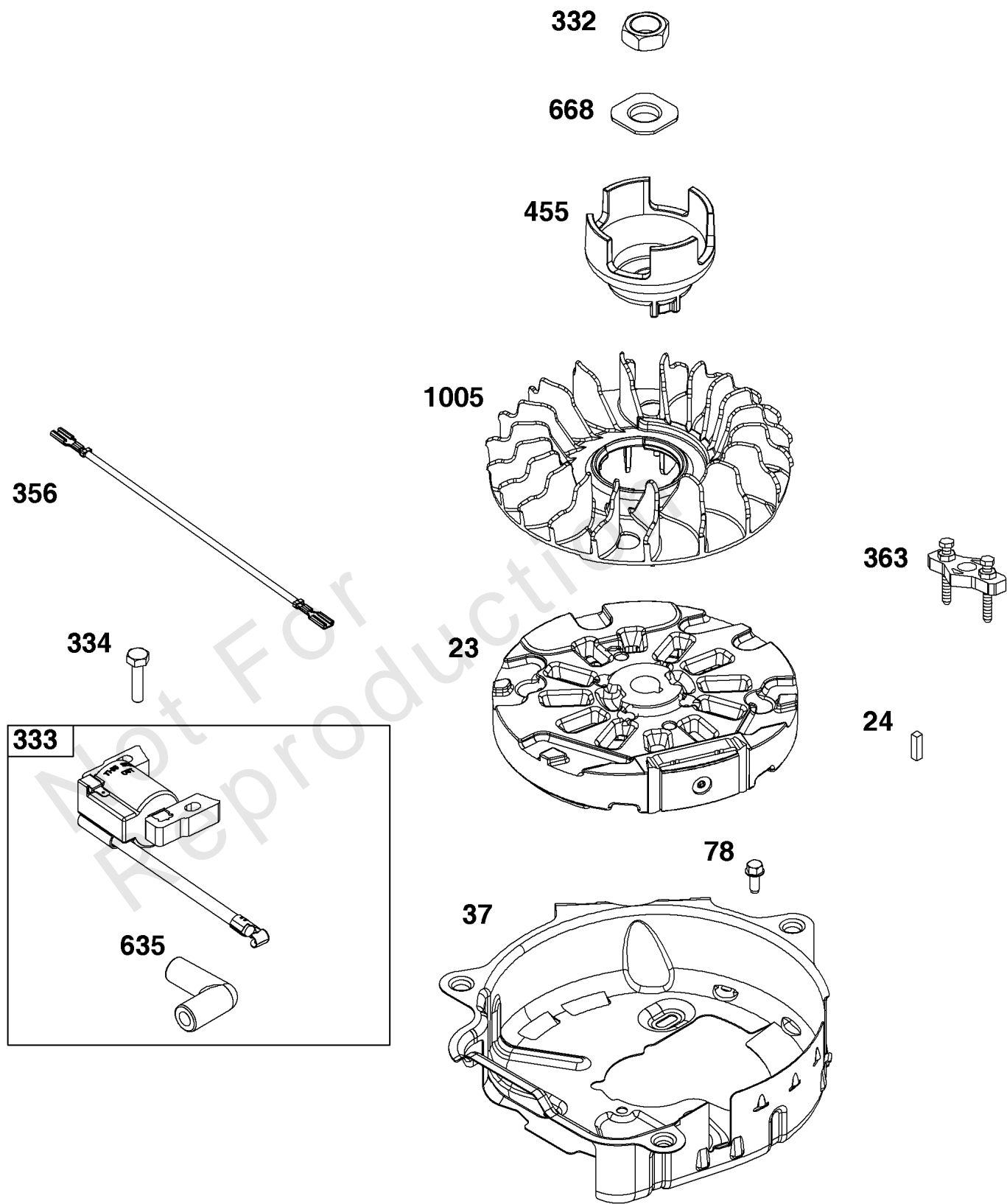


Not For
Reproduction

Exhaust Group

REF NO	PART NO	QTY	DESCRIPTION
300	597288	1	MUFFLER -(With Thermostat)
832	597405	1	GUARD, Muffler
836	690661	4	SCREW -(Muffler Guard)

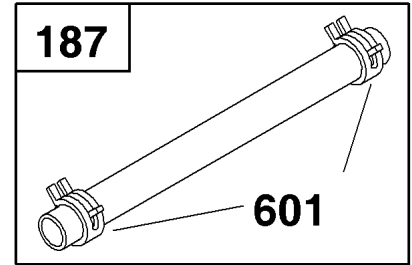
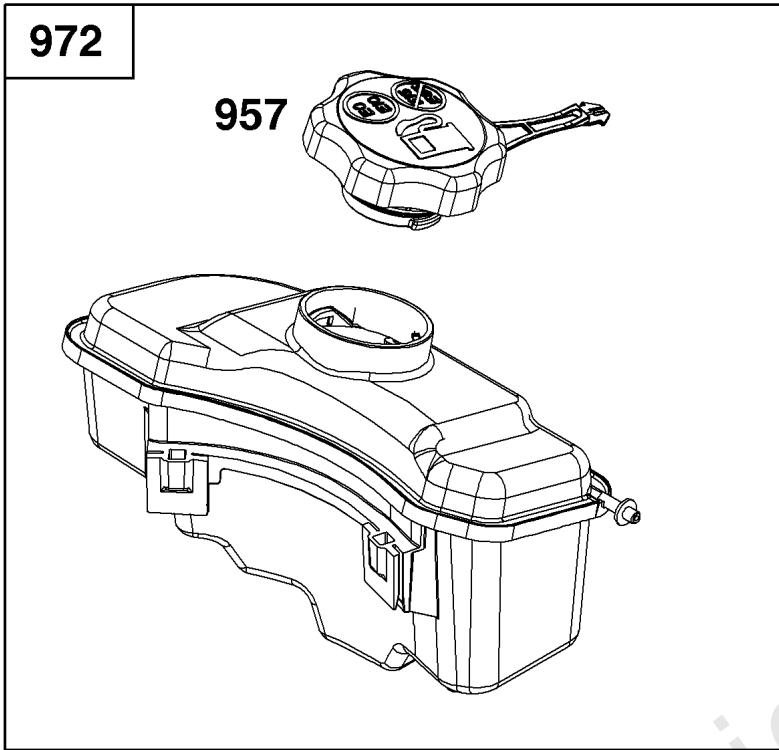
Not For Reproduction



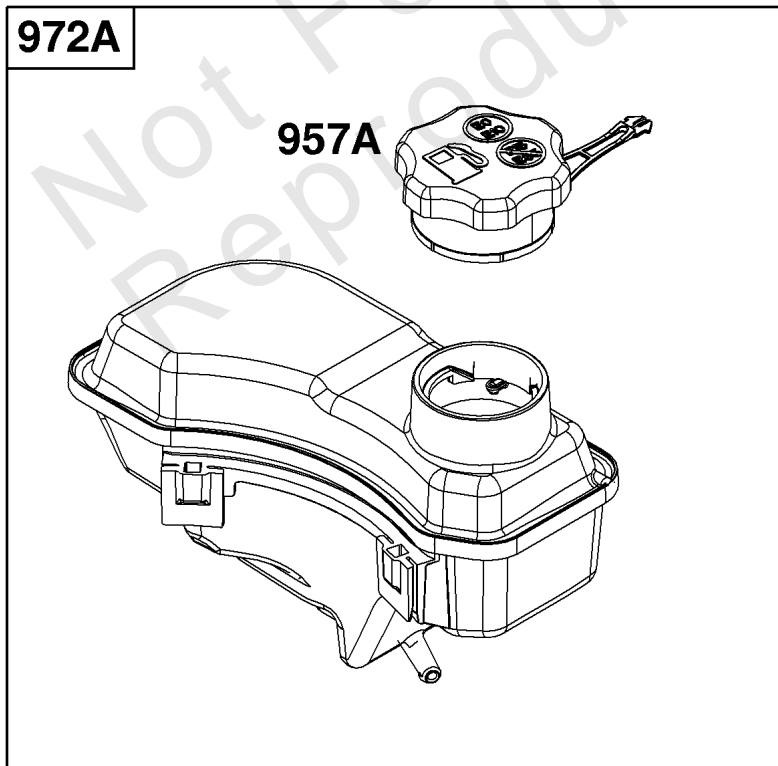
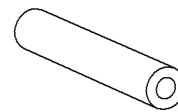
Flywheel , Ignition, & Starter Group

REF NO	PART NO	QTY	DESCRIPTION
23	597277	1	FLYWHEEL
24	-----	1	KEY, Flywheel -(Part information located in Crankshaft Group.)
37	595290	1	HOUSING, Blower
78	793480	5	SCREW -(Flywheel Guard)
332	690662	1	NUT -(Flywheel)
333	595291	1	ARMATURE, Magneto
334	793454	2	SCREW -(Magneto Armature)
356	597293	1	WIRE, Stop
363	19203	1	PULLER, Flywheel
455	593960	1	CUP, Flywheel
635	692076	1	BOOT, Spark Plug
668	590546	1	SPACER -(Flywheel)
1005	597278	1	FAN, Flywheel

Not For Reproduction



1011



Fuel Supply group

REF NO	PART NO	QTY	DESCRIPTION
187	791766	1	LINE, Fuel
601	791850	2	CLAMP, Hose
957	594061	1	CAP, Fuel Tank -Used Before Code Date 20010100
957A	84004416	1	CAP, Fuel
972	594112	1	TANK, Fuel -Used Before Code Date 20010100
972A	84004115	1	TANK, Fuel -Used After Code Date 19123100
1011	595293	1	TUBE, Vent

Not For Reproduction

Replacement Engine - US & Canada

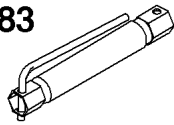
REF NO	PART NO	QTY	DESCRIPTION
	124P020010F1	1	Replacement Engine
	-----		Top No-Load Speed: 3800 -Trim: F1

Not For Reproduction

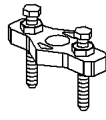
850



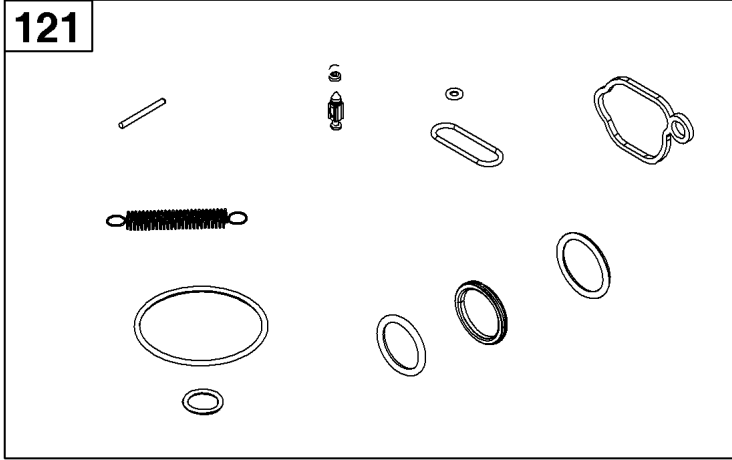
383



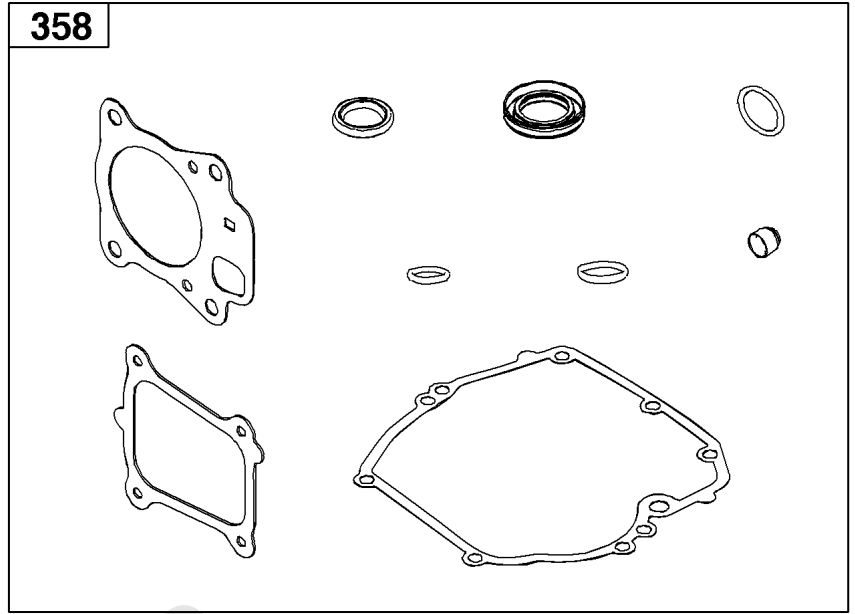
363



121



358




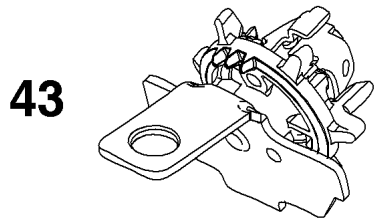
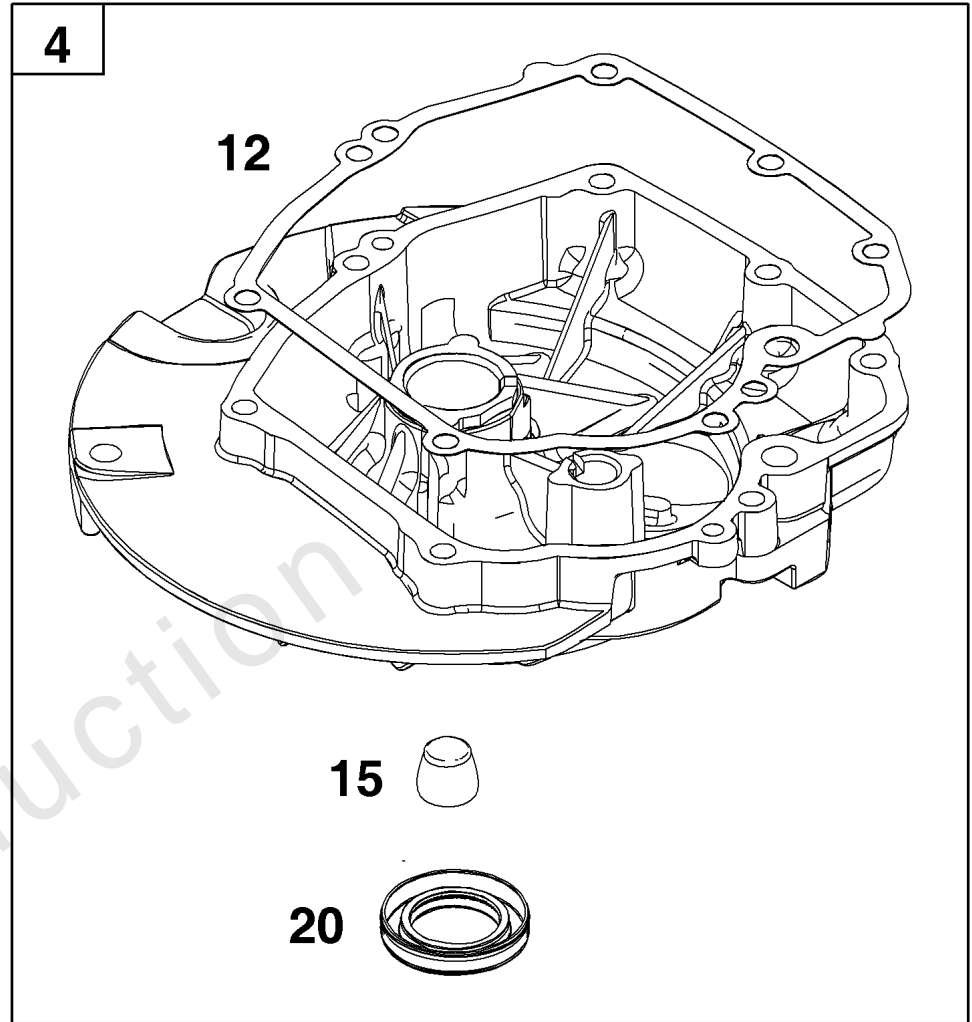
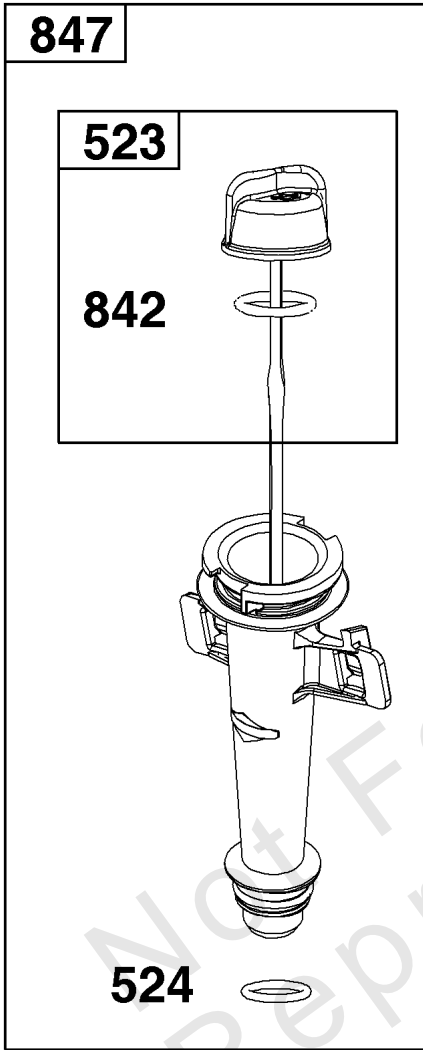
Not For
Reproduction

Service Parts & Tools Group

REF NO	PART NO	QTY	DESCRIPTION
121	594636	1	KIT, Carburetor Overhaul -(Service Kits may include extra parts not specific to this engine.)
358	597320	1	GASKET SET, Engine -(Service Kits may include extra parts not specific to this engine.)
363	19203	1	PULLER, Flywheel
383	19576S	1	WRENCH, Spark Plug
850	100106	1	SEALANT, Liquid

Not For Reproduction

718 



22 

Sump and Lubrication Group

REF NO	PART NO	QTY	DESCRIPTION
4	493279	1	SUMP, Engine
12	692232	1	GASKET, Crankcase
15	691680	1	PLUG, Oil Drain
20	399781S	1	SEAL, Oil -(PTO Side)
22	691092	7	SCREW -(Crankcase Cover/Sump)
43	593913	1	SLINGER, Governor/Oil
524	691876	1	SEAL, O-Ring -(Dipstick Tube)
523	796503	1	DIPSTICK -(Black)
718	690959	2	PIN, Locating
842	691031	1	SEAL, O-Ring -(Dipstick Cap)
847	596092	1	DIPSTICK/TUBE ASSEMBLY

Not For Reproduction

